



CIVIC SECTOR OF EUROMAIDAN GRASSROOTS MOVEMENT

EuroMaidan Newsletter # 144

Rada urges not to recognize State Duma elections in Crimea

Hangzhou did not become Yalta, China did not become Munich

The Ukrainian Rada is urging foreign parliaments [not to recognize State Duma elections in occupied Crimea](#). The so-called "[Crimean authorities](#)" are [forcing people to vote at the upcoming elections](#). Human rights advocates say local residents are frightened with dismissal and salary cuts.

[European Parliament against activities with new Russian Federation Duma](#) that run counter to its non-recognition policy of the illegal annexation of Crimea.

[Kremlin will ignore world opinion](#) if foreign leaders slam elections in annexed Crimea.

Voting in [Russian elections declared "impossible" in Ukraine](#), even in Embassies.

One of the most [significant things about the G20](#) summit was something that didn't happen. Hangzhou

didn't become Yalta. China didn't become Munich.

Kremlin [anger rises as US blacklists](#) more Russian firms.

Poland wants to be Ukraine's ambassador to EU. [A free, democratic and independent Ukraine will guarantee security](#), Polish PM.

Evidence of [Russia's seizure of Ukrainian Black Sea shelf](#).

Russian [war plane invades Estonian](#) airspace.

How fake stories reported in [Russia's news media regularly fool everyone](#).

[StopFakeNews #99](#) with Mykhailo Wynyckyj. Russian-inflated claims of Vladimir Putin's G20 successes, fake claims of Czech trade unions objecting to EU visa free travel for Ukrainians, and more.

Left: [Ukrainian team's winning spree continues](#): 12 more medals on day 4 of Paralympics.

Right: Chersonesus Reserve. [Crimea's occupied cultural heritage](#).



Putin has launched 'world war against trust'

No one in the Donbas believes the ceasefire will last

Putin has launched a '[world war against trust](#),' Yakovenko.

Putin's [hybrid war objective is to capture effective control](#), Sazonov.

No [one in the Donbas believes the ceasefire will last](#).

[Defending post-Maidan Ukraine against charges of rewriting history](#). Ukrainian Security Service State Archive Director Andriy Kohut hits back at criticism over Ukraine's handling of the painful realities of the country's troubled totalitarian past.

Ukrainian political expert Bohdan Yaremenko says [Moscow falls into a trap by allowing Crimean](#)

[residents to take part in elections](#).

Adrian Karatnycky. Corruption has eroded Ukraine's entire judicial system yet the [public has kept up pressure to transform it, and important and visible progress is finally taking shape](#).

['Godfather Putin' and other cases of imperial nationalism](#). Ukrainian historian and diplomat Dmytro Ishchenko on political vocabulary of modern and ancient empires and the processes they indicate.

Russia [will not fulfill Minsk obligations until forced](#) – Ukrainian diplomat.

Ceasefire heat: Russian proxies commence artillery raid

On the frontlines with Ukrainian volunteers

A total of [6,000 Russian servicemen and 35,000 militants](#) controlled by the Russian Armed Forces are fighting in Donbas as of August 2016.

Sep 12. Donbas heating up: [Militants increase number of shellings](#).

Sep 11. Ceasefire heat: [Russian proxies commence first artillery raid in 10 days](#). After short pause, Russian-controlled forces again using heavy weapon in Donbas.

Sep 10. [Russian troops violate "Minsk ceasefire" 30 times](#) in 24 hours. 3 Ukrainian soldiers killed, 1 wounded.

LPR militants [block OSCE access](#) to two villages.

[Militants' major supply chain liquidated](#) in ATO area - State Fiscal Service.

On the [frontlines with Ukrainian volunteers](#) - New Eastern Europe. Whilst the political elite squabble, Ukrainians use their initiative to ensure that those

defending their homeland are equipped with everything necessary.

How [one university defied Putin](#) and his armed mob.

Russia's military commanders over the "LNR" and "DNR" regimes are increasingly concerned about the [inability to recruit reliable people](#) from the local populations.

Russian [military terminate contracts not to fight](#) in Donbas.

The occupying forces seem to be preparing their next military show – a [tank biathlon between two teams representing the so-called "DNR" and "LNR"](#). Ten tank crews race daily across the occupied Torez tank firing range, shooting randomly.

Russian [defense minister arrives in Crimea](#) for key stage of Caucasus-2016 drills.

[Akhmetov sells concentrating plant](#) in occupied Donbas.



Plastic bags on face, electric shocks: Torture of Ukrainians in Russia

Prominent Crimean Tatar activist released from psychiatric clinic

"[Plastic bags on face, electric shocks](#)": human rights activists tell of systemic torture of Ukrainians in Russia.

Prominent [Crimean Tatar activist released from psychiatric clinic](#).

Umerov case highlights why [Crimean Anschluss is a threat to Russians](#), Portnikov.

Man severely [beaten for wearing Ukrainian symbols in occupied Crimea](#).

Crimean Tatars [sentenced for kitchen chat](#) in

Russian-occupied Crimean 'conveyor belt trial'.

"[Boycotting elections in Crimea is peaceful](#) form of resistance to Russian invaders," – Chubarov

Crimean taken by force to Russia [dies in prison, refused medical care](#).

[Letter from Ukrainian film-maker Oleg Sentsov smuggled out of prison](#). Serving 20-year sentence for activities in Crimea after Putin annexed the peninsula, Sentsov urges defiance against 'cowardly enemy'.

Priorities for Ukraine's 2017 state budget

Verkhovna Rada dismisses over 500 judges

Ukraine [is making progress on reforms, but a breakthrough in real change is yet to be seen](#), according to a report issued by the National Reforms Council.

Priorities for [Ukraine's 2017 state budget](#).

Amid growing impatience with Ukraine's political leaders, the nation's [lawmakers return from a two-month summer break to a packed agenda](#). [Poroshenko pleads for national unity](#) in his parliament address.

Ukraine chases [cuts in 'unrealistic' budget to meet IMF pact](#) - Bloomberg.

Poroshenko wants [to spend Yanukovich's assets on defense, security](#). Law on special confiscation yet to be approved.

[Mis-implementation of EU law](#) in Ukraine.

Verkhovna Rada [dismisses over 500 judges](#).

Ukrainian activists [call for removal of Yanukovich-appointed judges](#).

[E-declarations facing yet more sabotage](#) by fearful officials.

Regional Development [Ministry starts evaluating productivity of its employees](#).

Ecology Ministry presents [interactive map of landfills](#).

Ukraine may build [solar power generation park in Chernobyl exclusion zone](#).

The biggest [defence exhibition kicks off in Poland](#). Ukraine presents 15 enterprises.

Deputy Governor of [Kyiv region arrested for 200,000 UAH bribe](#).

Kharkiv [customs officer nabbed accepting 290,000 UAH](#) in bribe, - SBU.

NBU [cuts official exchange rate](#) to UAH 26.67.

[Weekly business roundup](#): Poroshenko hails lower trade with Russia; Energy sector reforms wins 600 million euros; Macroeconomic picture looks a little brighter.

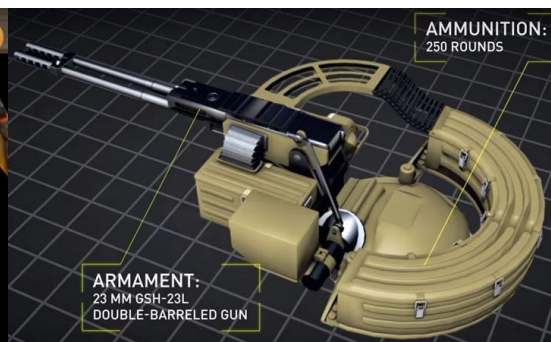
An arson attack that took place on Sept. 4 in the office of the [Inter TV channel again put the spotlight on the channel accused of pro-Kremlin sympathies](#).

[UN delegation visits Lviv-based SBU](#) investigation unit, reveals no "secret prison".

Volodymyr Savytsky has been sentenced to [5 years' imprisonment for the brutal beating of a Euromaidan activist in February 2014](#).

Left: National University of Kyiv-Mohyla Academy student team's "Dragons" triumph in [Google app developer competition](#).

Right: Ukroboronprom presents brand new [combat module "Viv"](#).



Six Ukrainian universities make it to world's best list

Ukraine ranks [11 among countries with best programmers](#), HackerRank.

Verkhovna [Rada supported IT and innovation businesses](#).

[Six Ukrainian universities make it to world's best universities list](#).

[The Murals of Kyiv](#)

Take a virtual tour of the murals on the streets of Kyiv. Starting in 2014, fantastic murals began to decorate narrow lanes and wide avenues in different parts of the city. 30+ walls have been decorated since that time by international street artists and more are expected. Mural fever is here to stay, and it puts Kyiv on the international street art map.

Left: [Record-breaking trembita concert](#) rings out in Ukraine's Carpathians. International Hutsul Festival brings together dozens of trembita players.
Right: [Ukrainian Vyshyvanka Parade in Japan](#).



Ukraine ranks third in Paralympics medal table Kyiv chosen to host Eurovision 2017

[World title rematch set](#) between British, Ukrainian heavyweights.

Ukraine has chosen its capital city, [Kyiv, to host the 2017 Eurovision Song Contest](#).

Ukraine [ranks third in Paralympics](#) medal table.

Ukrainian athletes won a total [49 medals over the four days of Paralympics](#).

[Ukraine and US are head-to-head at chess championship](#). Ukrainian chess-players have high chances to become world champions.

Left: [Biggest labyrinth](#) at corn field. (Video)

Right: [Waterfall Maliivtsi](#). 40+ waterfall fotos



CONTACT INFORMATION

Press-center of Civic Sector of EuroMaidan
Kateryna Maksym +38(066) 6906927
katerynamaksym69@gmail.com

To subscribe to the newsletter: <http://eepurl.com/bByY49>

www.facebook.com/hrom.sektor.euromaidan
Follow us on twitter [@maidan_go](https://twitter.com/maidan_go)

Previous issues of our newsletter are available at National University of Kyiv-Mohyla Academy electronic repository <http://goo.gl/twRkKw>

If you wish to receive this newsletter, or if you would like to unsubscribe, please email Kateryna Maksym at katerynamaksym69@gmail.com